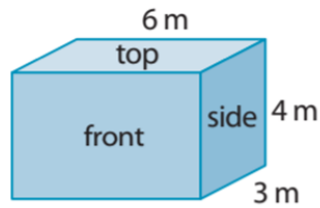


Practice – Representing 3-D Objects

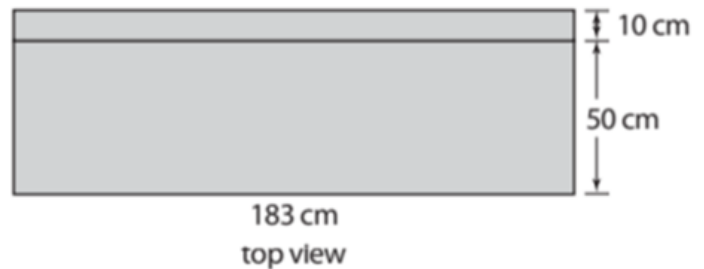
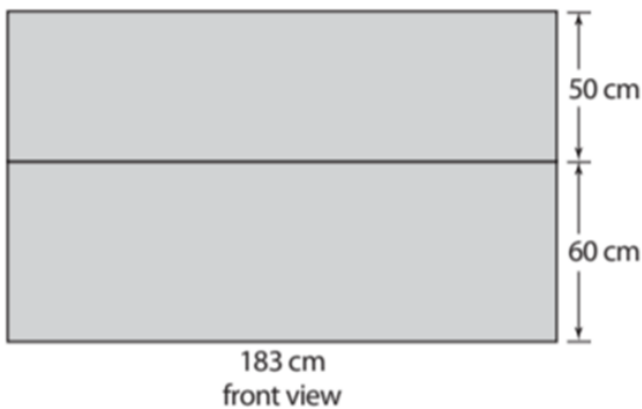
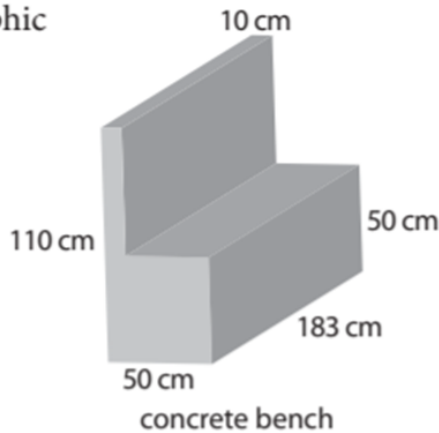
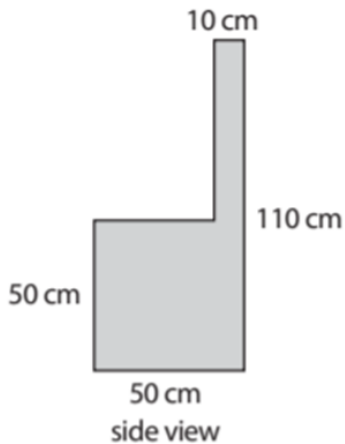
1. State the dimensions for the front view, side view, and top view of the rectangular prism shown.



2. Draw a set of orthographic drawings for the cereal box shown, which has the dimensions 12" x 8" x 3".
3. Draw the three orthographic views of a soup can that is 12 cm high and has a diameter of 8 cm.

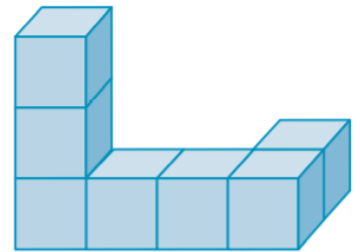


4. Does each of the three orthographic drawings represent the concrete bench shown?



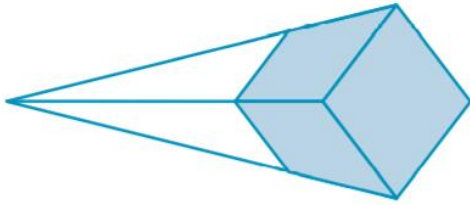
If not, draw and label the correct view(s).

5. Create an isometric drawing of the following shape.
It will be challenging without isometric paper, but try your best.



6. Identify the point of perspective for each drawing.

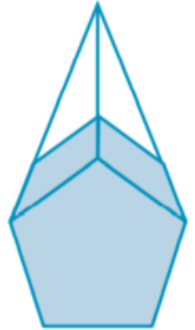
a)



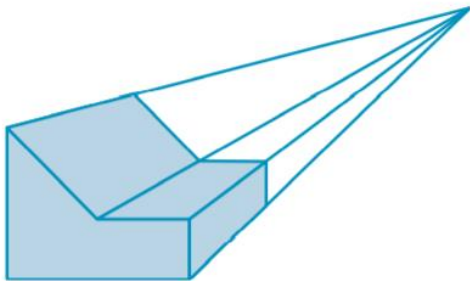
c)



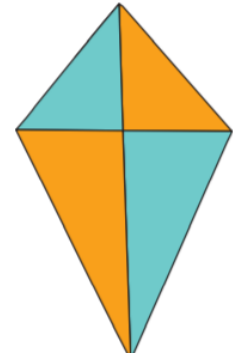
d)



b)



7. Create a one-point perspective of the shape shown.



8. The exploded view diagram shows a birdhouse. ~~On grid paper~~, sketch the front view and the side view of the birdhouse.

Include dimensions in your sketch.

